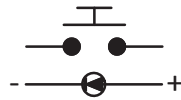
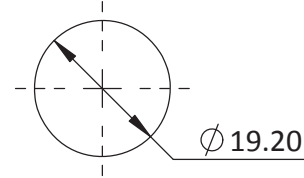


Wiring Diagram

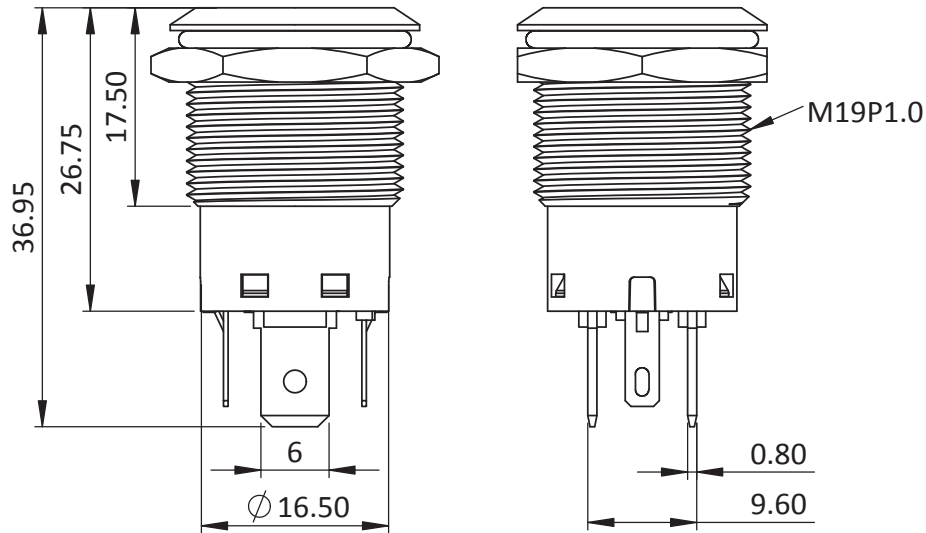
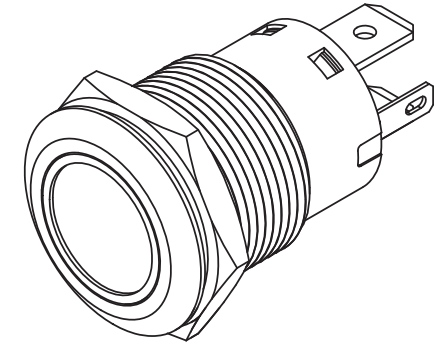


PB4411T: Momentary
PB4411TL: Latching

Mounting hole dimension



Panel Thickness: 8mm MAX



SPECIFICATION

1. Rating : DC 12V 20A 24V 10A
2. Contact : 50mΩ Max
3. Insulation R : DC 500V 100MΩ Min
4. Dielectric strength : AC 1500V 1 minute
5. Electrical Life : 20000 make-and-break cycles at full load
6. Operating Temperature: -20°C ~ 55°C

Features

- Market-leading 20A current capacity with the same compact size
- Patent pending innovative internal design
- Marine Grade durable stainless steel 316 housing & button.
- Also available in lower cost brass housing and button (nickel plated)
- Self-locking or Momentary
- LED light rings configurable to be push-on (power indication) or always on (back lighting)
- Silver-plated 0.250" Quick Terminals
- IP67 – protected against even under temporary water immersion

Modify	Date	Revision			Approval	No.	Title	Part	Rev.	0
							Large Current Anti-Vandal Push Button Switch		Unit	m/m
							Mat'l Stainless Steel 316 or Brass	Finish	Ratio	1.5:1
Size	0.5-6	>6-30	>30-120	>120-400			Auth			
Tol	+/-0.05	+/-0.1	+/-0.15	+/-0.2						