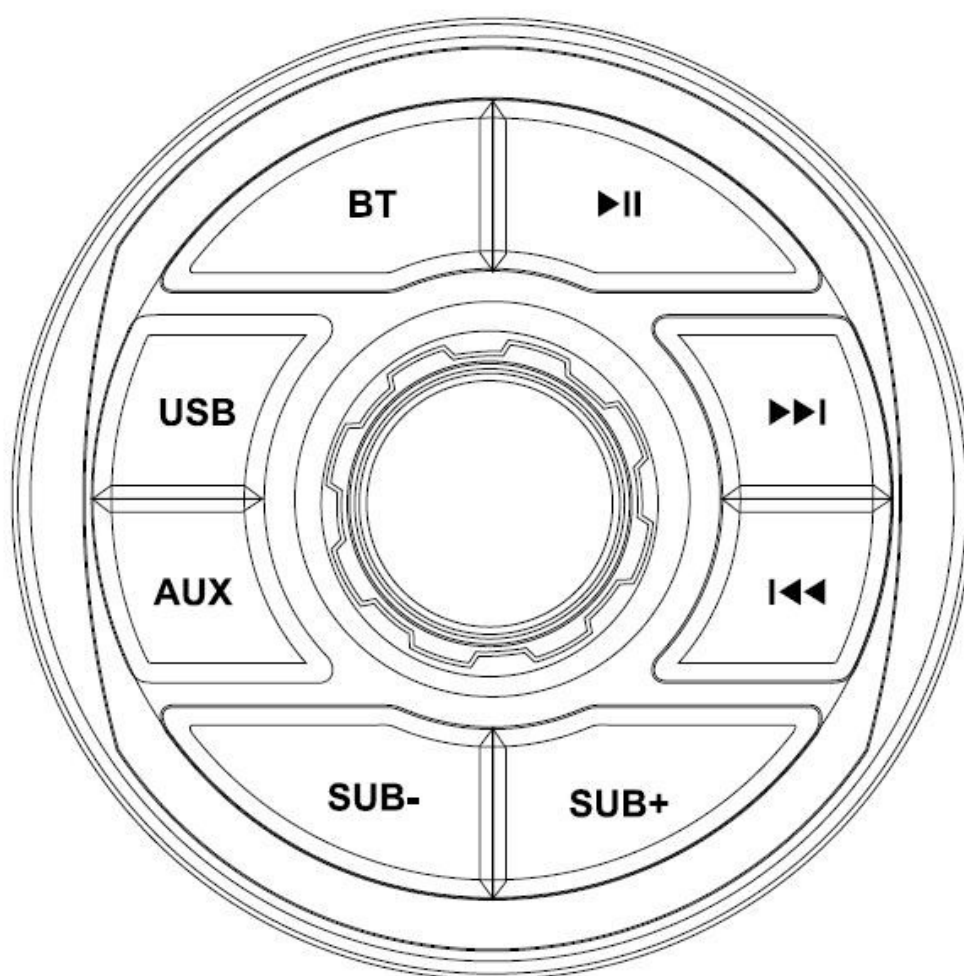


# OSCULATI

## OWNER'S MANUAL

Code 29.531.00

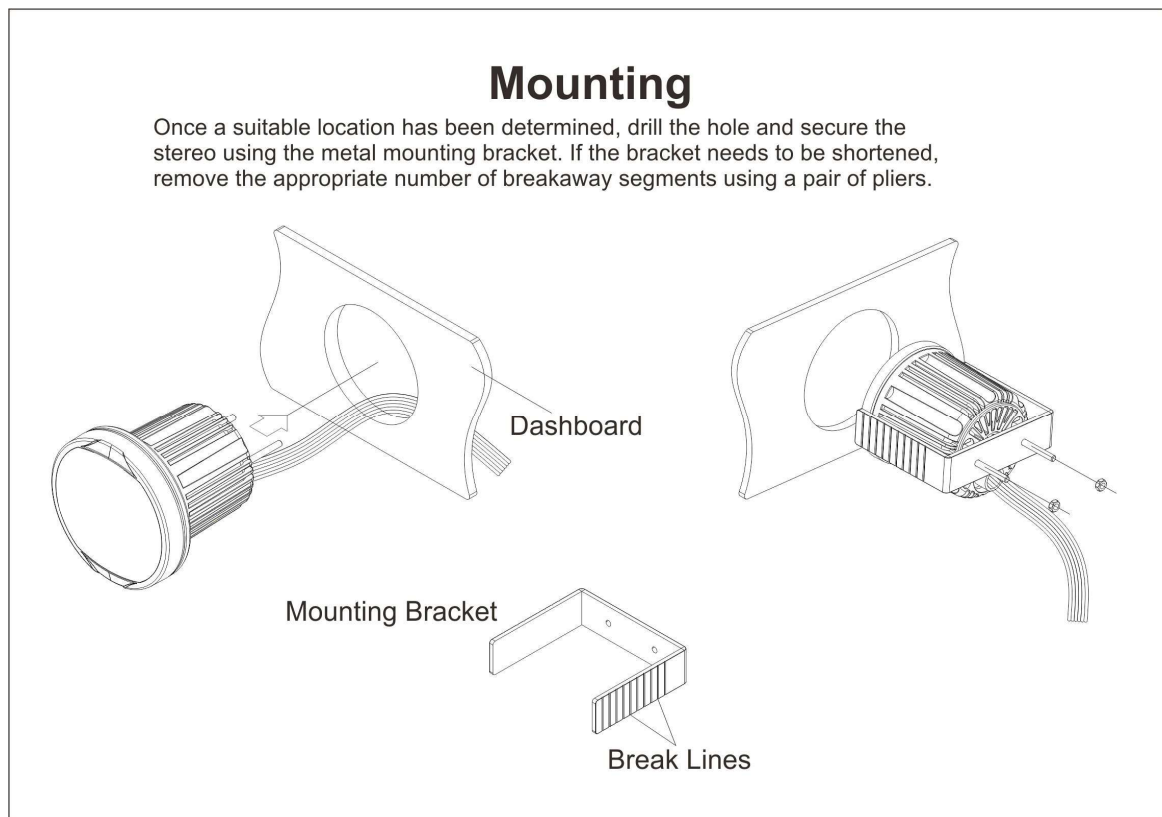


Please read the instruction carefully before operating the unit

# Installation

---

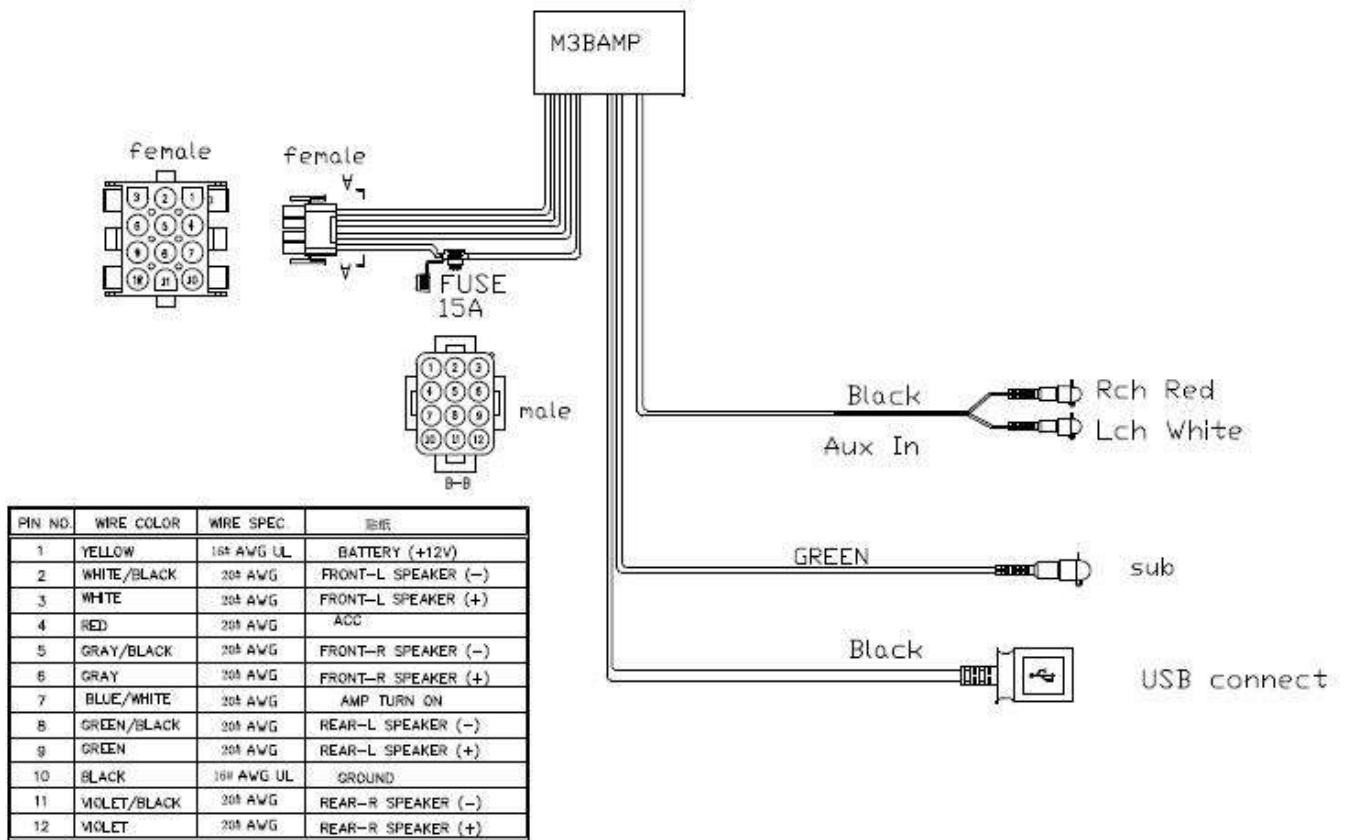
## ATTENTIONS OF INSTALLATION



1. This player should be installed by professional technician.
2. please read the instruction and operation of equipment carefully before installing.
3. Make sure to connect other wires before power connection.
4. To avoid short circuit. Please make sure all the exposed wire are insulating.
5. please fix all the wires after installation.
6. please make connection to the player accordingly to this instruction manual. Wrong connection may cause damage.
7. This player only fit for 12V DC device and please make sure your car belongs to this kind of cathode grounding electrical system.
8. Please connect the wires rightly. Wrong connection will cause malfunction or damage the electrical system.

# Installation

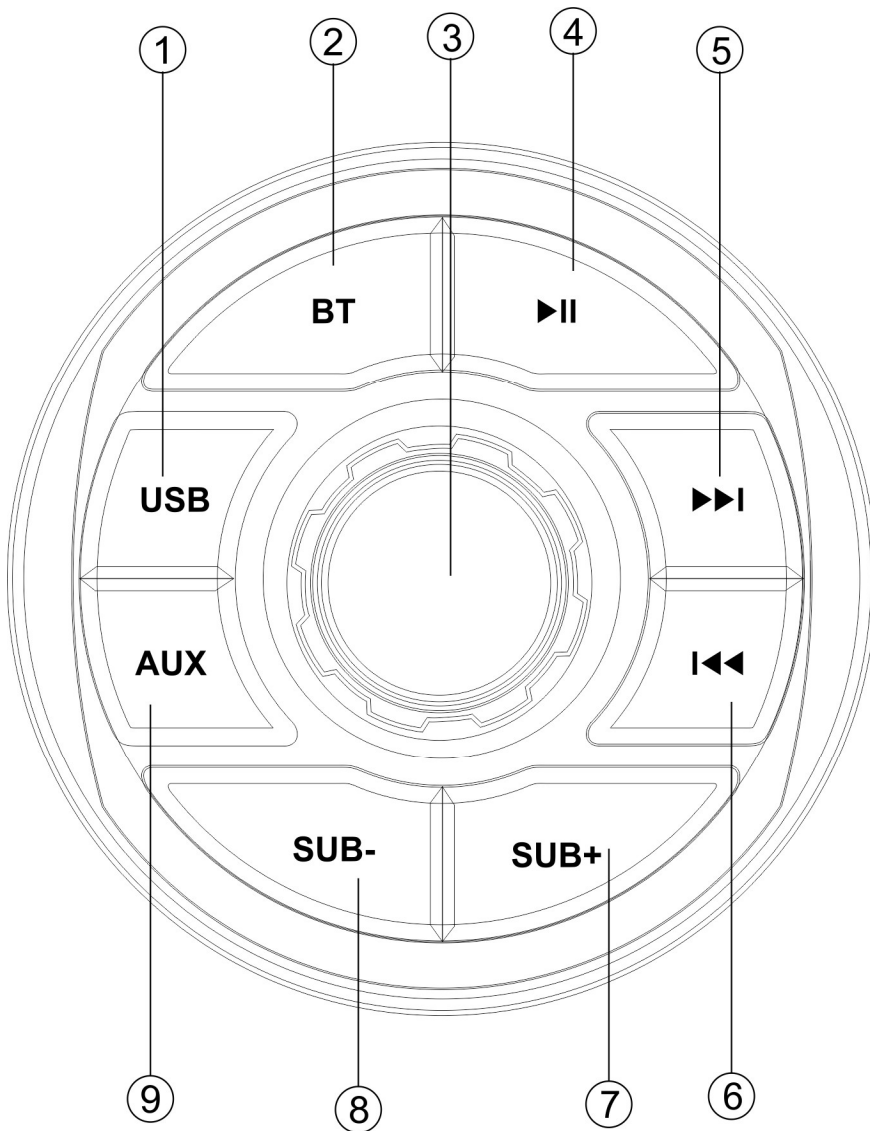
## WIRING CONNECTION



1. This player can only be used by the 12V DC cathode grounding electrical system.
2. Do not connect the battery terminal until the player is fully well installation.
3. Please make sure to connect the yellow wire to the positive of the battery(+).
4. When change the fuse. Please make sure the specifications are same.
5. Using good quality speaker with 4-8 ohm can result in the best effect of the equipment.

# KEY FUNCTION

## LOCATION OF KEYS



1. USB source button
2. BT source button
3. VOL button
4. ►|| PAUSE button
5. ►► Next track button

6. ◀◀ previous track button
7. SUB volume+ button
8. SUB volume- button
9. AUX source button

# TROUBLE SHOOTING

---

## Turn on/off the unit

Press **VOL** knob to turn on the unit. When the unit is on. Press and hold this button to turn off the unit.

## Volume up/down

Rotate the **VOL** knob to up/down the volume.

## Volume up/down

Press SUB+/SUB- button to up/down the subwoofer volume.

## Mute on/off

Press **VOL** knob or “>||” button to mute on/off the sound.

## AUX in operation

Press **AUX** button to switch to **AUX** source when an audio signal is inserted.

## USB operation

Press **USB** button to switch to **USB** source. Or insert an USB it will switch to the USB source automatically.

## Select file

Press ►►/◄◄ button to skip to next/previous file. Hold ►►/◄◄ button to fast forward or fast reverse.

## Play/Pause

Press ►|| button to pause/playing the file.

## Bluetooth Operation

### Pairing

On mobile phone, select the Bluetooth item searching the Bluetooth device. “CAR KIT” should appear in the list, select “CAR KIT” and then input password “0000” If it needs a password. When successful paired, the BT button will be not flashing.

### Bluetooth Audio

Press **BT** button to switch to BT source. It will play a song of your mobile phone automatically. Press “>||” key to pause/play the song. Press ►►/◄◄ button to select next/previous song.

# TROUBLE SHOOTING

## GENERAL

Power Supply Requirements : DC 12 Volts, Negative Ground

Chassis Dimensions : 100(W) x 100 (D) x 70(H)

Tone Controls

- Bass (at 100 Hz) :  $\pm 10$  dB

- Treble (at 10 kHz) :  $\pm 10$  dB

Maximum Output Power : 4 x 40 watts

Current Drain : 10 Ampere (max.)

## TROUBLE SHOOTING

Before going through the checklist, check wiring connection. If any of the problems persist after checklist has been made, consult your nearest service dealer.

Symptom	Cause	Solution
No power.	The car ignition switch is not on.	If the power supply is connected to the car accessory circuits, but the engine is not moving, switch the ignition key to "ACC".
	The fuse is blown.	Replace the fuse.
No sound.	Volume is in minimum	Adjust volume to a desired level.
	Wiring is not properly connected.	Check wiring connection.
The operation keys do not work.	The built-in microcomputer is not operating properly due to noise.	Press the reset button.
The radio does not work. The radio station automatic selection does not work.	The antenna cable is not connected.	Insert the antenna cable firmly.
	The signals are too weak.	Select a station manually.