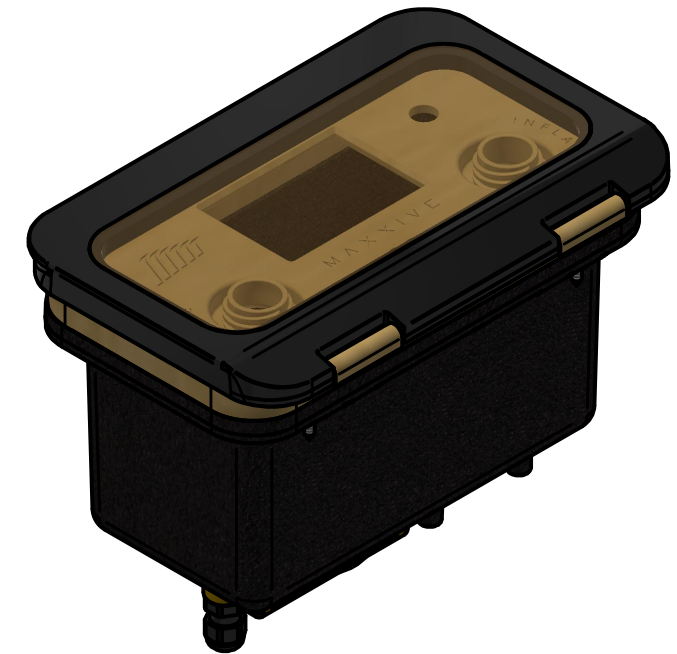
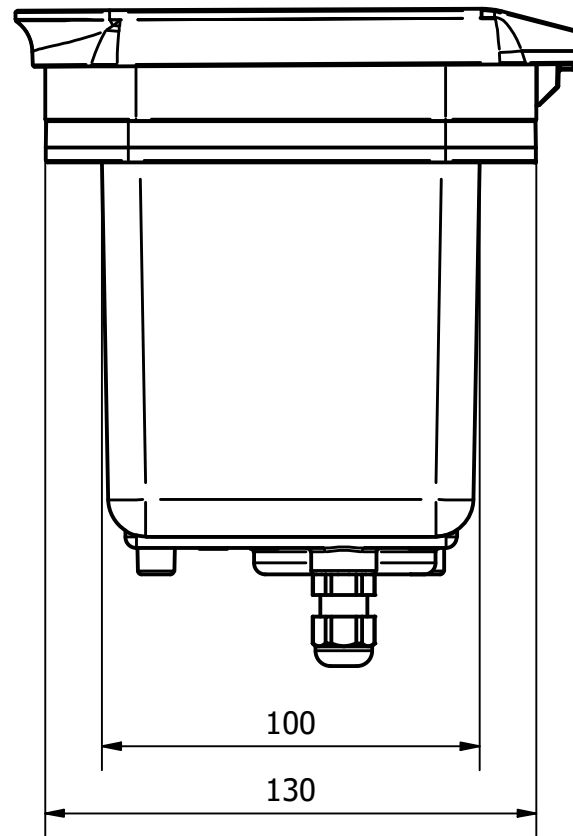
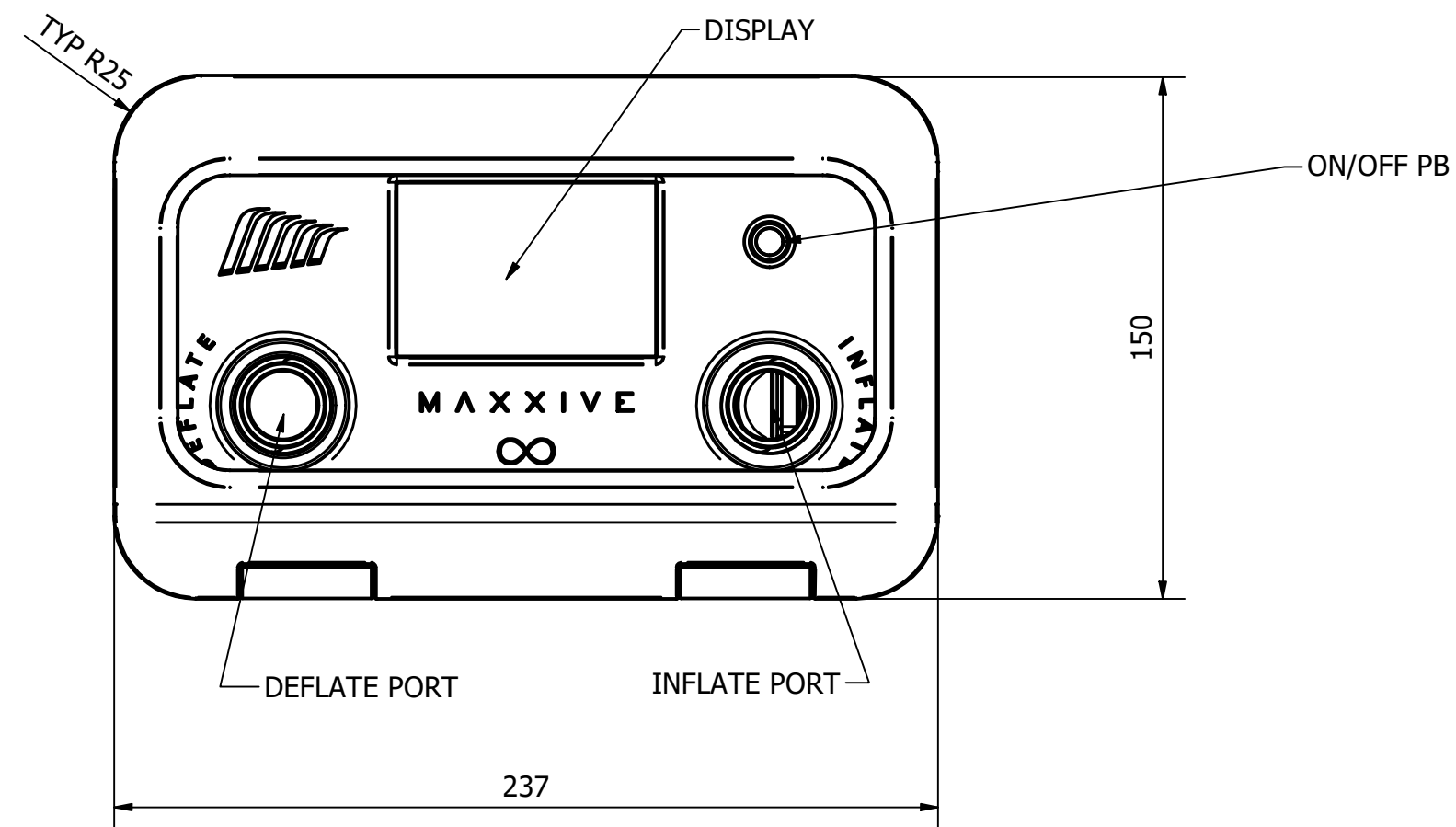


POWER SUPPLY



TECHNICAL FEATURES	
FEATURE	VALUE
MAX PRESSURE [mbar]	1250
MAX AIR FLOW [l/min]	500 (compressor 150)
POWER SUPPLY	9-16 Vdc
MAX POWER [W]	360
MAX CURRENT [A]	23
MODE	INFLATE/DEFLATE



Professional electric pump with a good air flow volume and pressure, fully automated inflating and deflating system.

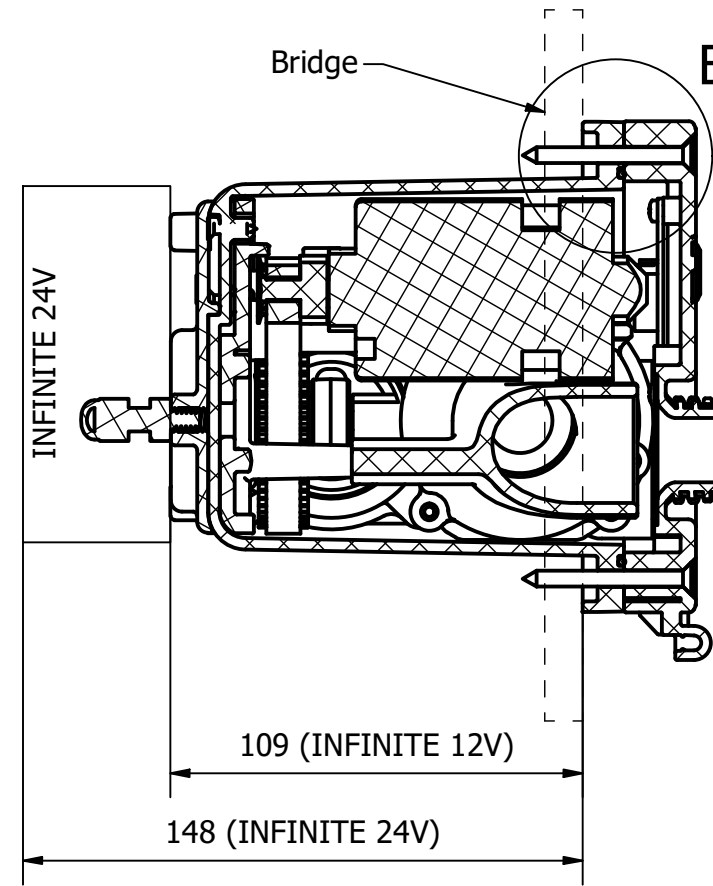
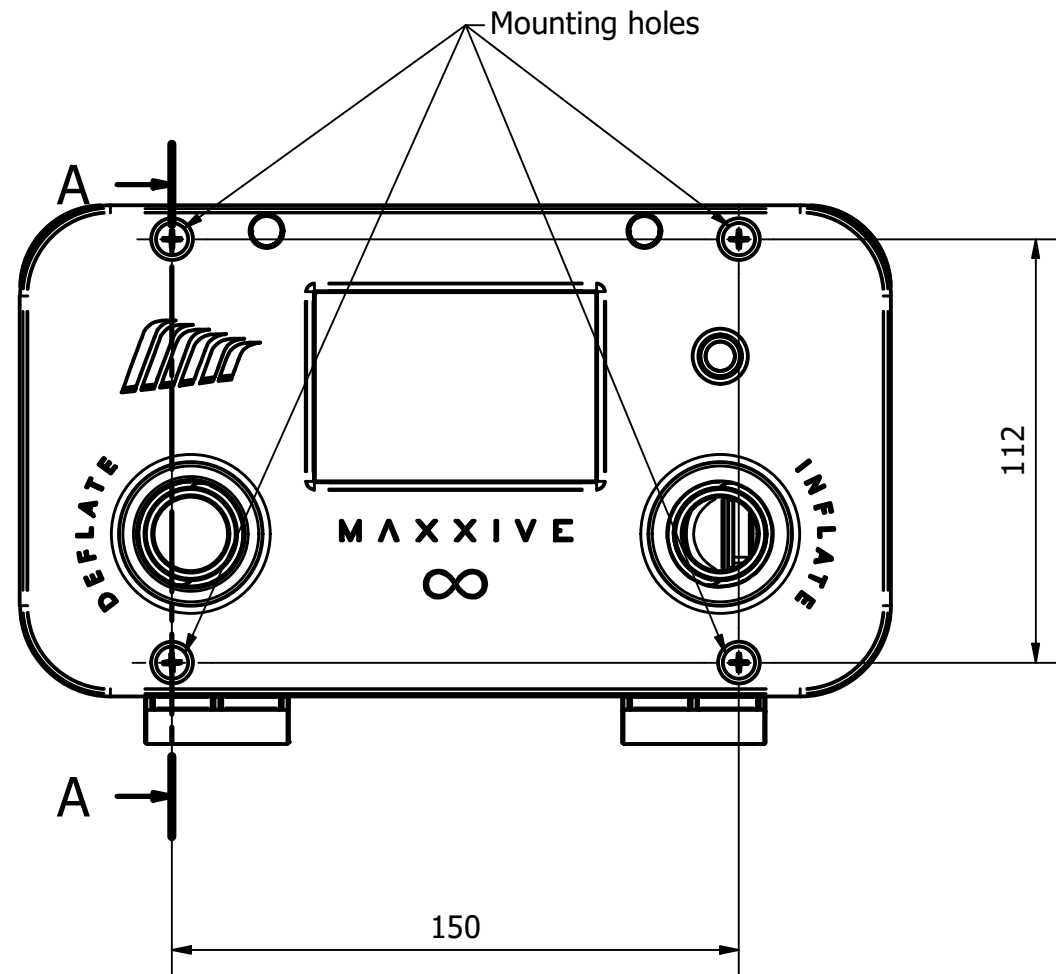
ADDITIONAL FEATURES:

- Automatic stop when target pressure is reached
- Display showing target pressure and actual pressure
- Automatic Refilling System option
- Integrated WebServer

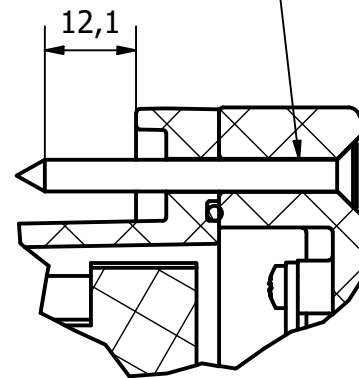
Rev.	Stato Dis. In corso	Per le tolleranze generali del disegno vige la normativa EN-22768-mk			
Progettato P.D.	Controllato	Scala 1 : 2	Data 16/09/2024	Materiale	Massa 2,169 kg
 SCOPREGA			AEDRA MAXXIVE INFINITE		
			AD2S0006	 Foglio 1 / 3	

MOUNTING GUIDE

SEZ. A-A (1 : 2)

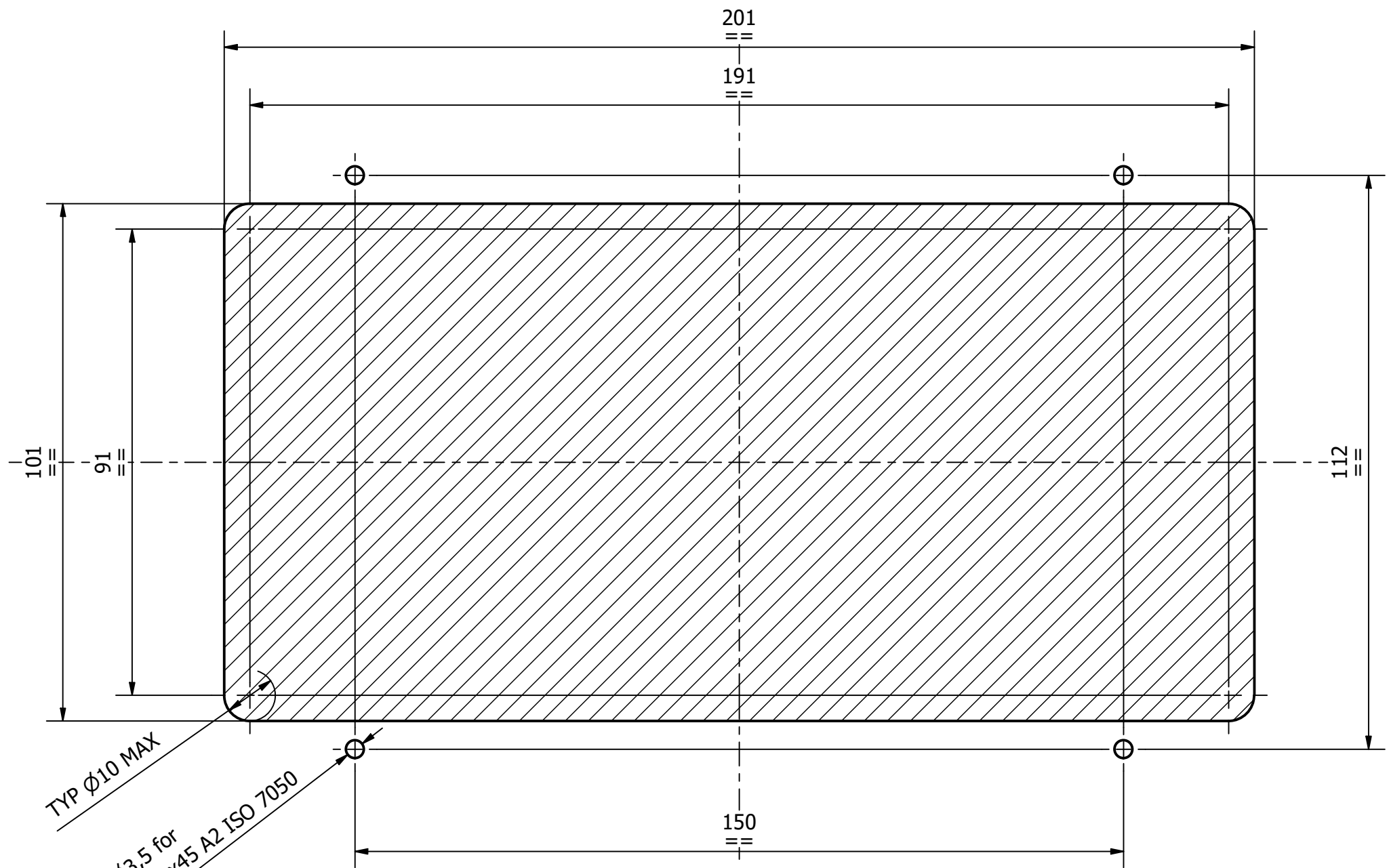


No. 4 Screw
TC-TS 4.2x45 A2 ISO 7050




VIEW B (1 : 1)

Rev.	Stato Dis. In corso	Per le tolleranze generali del disegno vige la normativa EN-22768-mk			
Progettato P.D.	Controllato	Scala 1 : 2	Data 16/09/2024	Materiale	Massa 2,169 kg
SCOPREGA			AEDRA MAXXIVE INFINITE		Foglio 2 / 3
			AD2S0006		



DRILLING TEMPLATE

Rev.	Stato Dis. In corso	Per le tolleranze generali del disegno vige la normativa EN-22768-mk			
Progettato P.D.	Controllato	Scala 1 : 1	Data 13/11/2023	Materiale PA12	Massa 0,618 kg
 SCOPREGA			Cut Out Maxxive		
			FR00341		