



Signal Interface (SI)

User & Installation Manual

V2.0



1	Contents	
2	GENERAL INFORMATION	3
2.1	Use of this manual	3
2.2	Guarantee Specifications	3
2.3	Quality	3
2.4	Validity Of This Manual	3
2.5	Liability	3
2.6	Changes To The Signal Interface (SI)	3
3	SAFETY AND INSTALLATION PRECAUTIONS	4
3.1	Warnings and Symbols	4
3.2	Use For Intended Purpose	4
3.3	Organizational Measures	4
3.4	Maintenance and Repair	4
3.5	General Safety and Installation Precautions	4
4	OVERVIEW	5
4.1	Description	5
4.2	Features	5
4.3	Component Overview	5
5	INSTALLATION	6
5.1	Guidelines	6
5.2	Connections	6
5.3	Dipswitch	7
5.4	Initial Power Up	7
6	LED FLASH CODES	8
7	LABELLING	9
7.1	Connections/LED Flash Code Label	9
7.2	Module Identification and Dipswitch label	9
8	SYSTEM WIRING EXAMPLE	10
9	DIMENSIONS	11
10	ORDERING INFORMATION	12
10.1	Module	12
10.2	Accessories and Spares	12
11	EMC RATINGS	12
12	DECLARATION OF CONFORMITY	13

2 GENERAL INFORMATION

2.1 USE OF THIS MANUAL

Copyright © 2019 BEP Marine. All rights reserved. Reproduction, transfer, distribution, or storage of part or all of the contents in this document in any form without the prior written permission of BEP Marine is prohibited. This manual serves as a guideline for the safe and effective operation, maintenance and possible correction of minor malfunctions of the Signal Interface Module (SI).

This manual is valid for the following:

Description	Part number
CZONE SIGNAL INTERFACE c/w SEALS & CONN	80-911-0013-00
CZONE SIGNAL INTERFACE NO SEALS & CONN	80-911-0014-00

It is obligatory that every person who works on or with the Signal Interface is completely familiar with the contents of this manual, and that he/she carefully follows the instructions contained herein.

Installation of, and work on the Signal Interface, may be carried out only by qualified, authorized, and trained personnel, consistent with the locally applicable standards and taking into consideration the safety guidelines and measures. Please keep this manual in a secure place!

2.2 GUARANTEE SPECIFICATIONS

BEP Marine guarantees that this unit has been built according to the legally applicable standards and specifications. Should work take place which is not in accordance with the guidelines, instructions and specifications contained in this Installation manual, then damage may occur and/or the unit may not fulfil its specifications. All these matters may mean that the guarantee becomes invalid.

2.3 QUALITY

During their production and prior to their delivery, all our units are extensively tested and inspected. The standard guarantee period is two years.

2.4 VALIDITY OF THIS MANUAL

All the specifications, provisions and instructions contained in this manual apply solely to standard versions of the Signal Interface (SI) delivered by BEP Marine.

2.5 LIABILITY

BEP can accept no liability for:

- Consequential damage due to use of the Signal Interface. Possible errors in the manuals and the results thereof

CAREFUL! Never remove the identification label

Important technical information required for service and maintenance can be derived from the type number plate.

2.6 CHANGES TO THE SIGNAL INTERFACE (SI)

Changes to the Signal Interface may be carried out only after obtaining the written permission of BEP.

3 SAFETY AND INSTALLATION PRECAUTIONS

3.1 WARNINGS AND SYMBOLS

Safety instructions and warnings are marked in this manual by the following pictograms:



CAUTION

Special data, restrictions and rules with regard to preventing damage.



WARNING

A WARNING refers to possible injury to the user or significant material damage to the Signal Interface if the user does not (carefully) follow the procedures.



A procedure, circumstance, etc, which deserves extra attention.

3.2 USE FOR INTENDED PURPOSE

1. The Signal Interface is constructed as per the applicable safety-technical guidelines.
2. Use the Signal Interface only:
 - In technically correct conditions
 - In a closed space, protected against rain, moisture, dust and condensation
 - Observing the instructions in the installation manual



WARNING Never use the Signal Interface in locations where there is danger of gas or dust explosion or potentially flammable products!

3. Use of the Signal Interface other than mentioned in point 2 is not considered to be consistent with the intended purpose. BEP Marine is not liable for any damage resulting from the above.

3.3 ORGANIZATIONAL MEASURES

The user must always:

- Have access to the user's manual and be familiar with the contents of this manual

3.4 MAINTENANCE AND REPAIR

- Switch off supply to the system
- Be sure that third parties cannot reverse the measures taken
- If maintenance and repairs are required, only use original spare parts

3.5 GENERAL SAFETY AND INSTALLATION PRECAUTIONS

- Connection and protection must be done in accordance with local standards
- Do not work on the Signal Interface or system if it is still connected to a power source. Only allow changes in your electrical system to be carried out by qualified electricians
- Check the wiring at least once a year. Defects such as loose connections, burned cables, etc. must be corrected immediately

4 OVERVIEW

4.1 DESCRIPTION

The Signal Interface (SI) connects the CZone system to your external sensors, alarms and switching devices. The SI allows intelligent, automated operation of circuits depending on the state of the input.

4.2 FEATURES

- Accepts inputs from traditional switch types being used to control outputs.
- Accepts inputs from switches to trigger alarm i.e., high water float switch.
- Accepts inputs from industry standard tank senders (0-5V, 10-180 Ohm, 240-33 Ohm).
- Accepts inputs from general voltaic or resistive signals can be used for controlling outputs or to display a physical position i.e., show a hatch is partially open.
- LED status indicators for each input.
- Dimensions: WxHxD: 6-3/32"x3-29/32"x1-5/8" 156x100x42 mm Weight: 281g
- IPX5 water ingress protection.
- Resistive input range 0-1000 Ohms.
- Outputs standard NMEA2000 sentences.

4.3 COMPONENT OVERVIEW

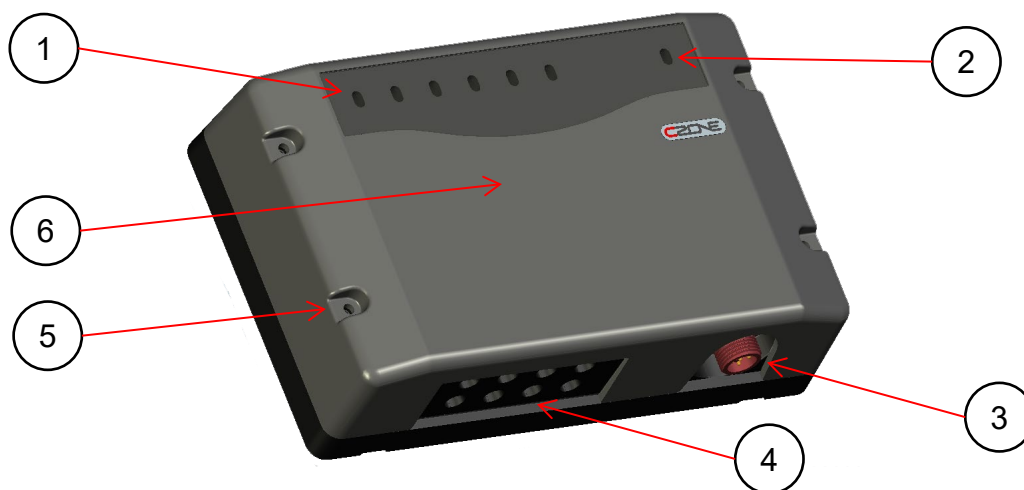


Figure 1. Overview

	<u>Component</u>
1.	Circuit Status LED's
2.	Network Status LED
3.	NMEA 2000 Plug
4.	Cable Gland
5.	Cover Retaining Screws
6.	Module Cover

5 Installation

5.1 GUIDELINES

- Ensure the modules are installed vertically with the cables exiting downwards, this ensures IPX5 rating is retained.
- All seals and cable glands must be fitted including blanking plugs inserted in any unused positions.
- Ensure all labels are fitted and correct

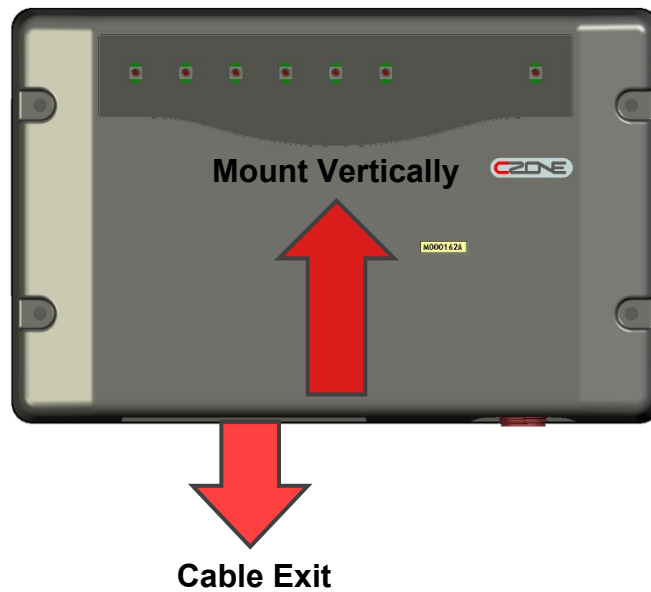


Figure 2. Mounting

5.2 CONNECTIONS

- Connect DC Neg to SI input 8, used as reference to ground.
- Connect each input to SI, inputs 1-6. Input 7 is not connected.
- Connect an NMEA2000 drop cable from the SI to the NMEA2000 backbone.
- Ensure NMEA2000 network is properly terminated and connected to 12V power source.

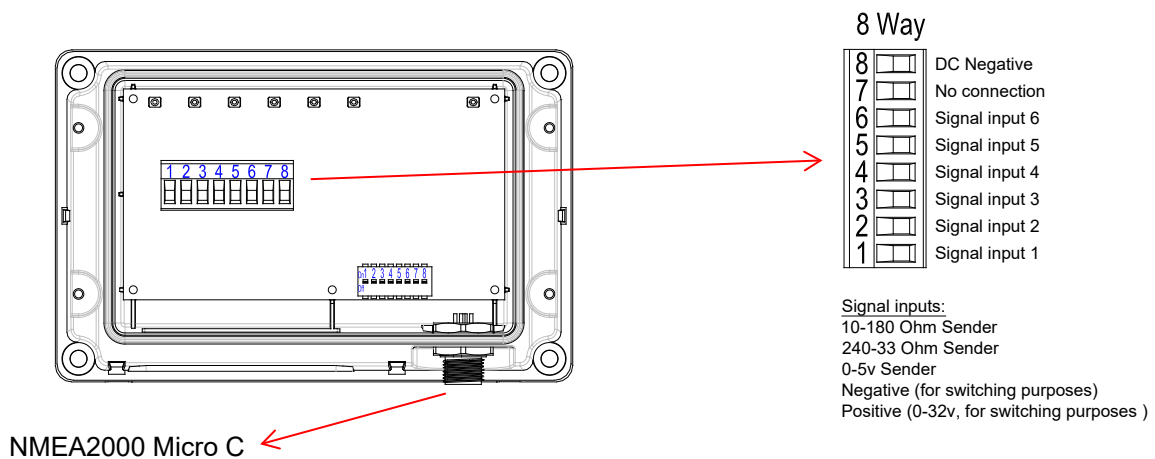
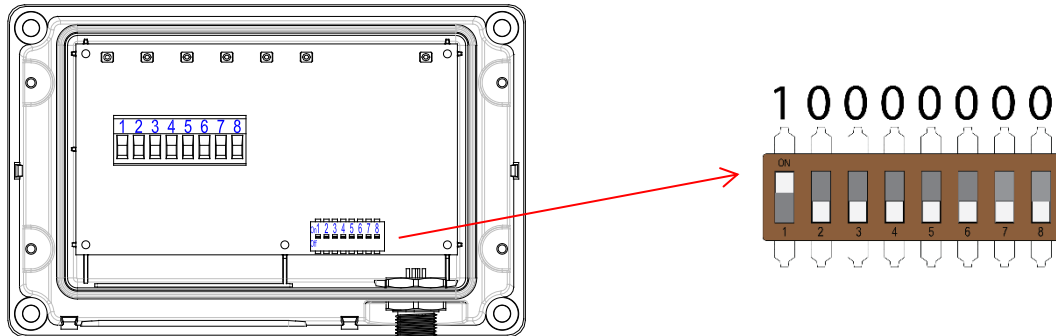


Figure 3. Connections

5.3 DIPSWITCH

- Using a small screwdriver, carefully set the dipswitch to required setting.
- The dipswitch number must be unique for all modules on the CZone network and must match the dipswitch setting in the configuration to function correctly.



The example shows a dipswitch number of 10000000 where 0 = Off and 1 = On.

Figure 4. Dipswitch Setting

5.4 INITIAL POWER UP

1. Check all plugs are securely seated and connections are tight.
2. Power up the NMEA2000 network.
3. Check that the NMEA2000 Network LED lights up. It may also be flashing if other devices are present and transmitting data.
4. Check that the Power indicator LED is green.
5. Check the circuit's status LEDs for each individual circuit. Refer to LED codes to diagnose any faults which need to be rectified.
6. Check the software version on the Signal Interface with the CZone Configuration Tool and update if necessary.
7. Refer to the CZone Configuration Tool Instructions for details on how to configure and calibrate the Signal Interface inputs.
8. Write configuration file to the Signal Interface and the rest of the CZone modules on the system.
9. Test all inputs and outputs for configured functionality.

6 LED Flash Codes

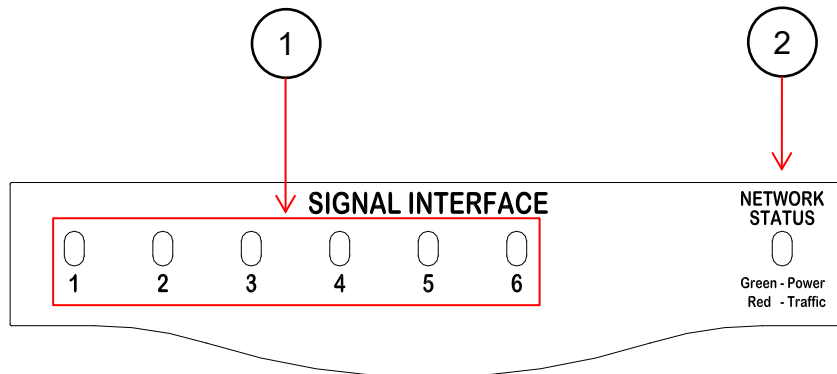


Figure 5. LED Flash Codes

1. Circuit Status LED's

<u>Colour</u>	<u>Description</u>
Green Solid ON	Valid Signal Input
1x Red Flash	Channel Not Configured
2x Red Flash	Configuration Conflict
3x Red Flash	Dip Switch Conflict
4x Red Flash	Memory Comms Failure
5x Red Flash	No Modules Detected
6x Red Flash	Fault On Output
7x Red Flash	Output Not Detected
8x Red Flash	Invalid Signal Input

2. Network Status LED

<u>Colour</u>	<u>Description</u>
Extinguished	Network Power Disconnected
Green	Network Power Connected
Red Flash	Network traffic

7 Labelling

7.1 CONNECTIONS/LED FLASH CODE LABEL

This label is located on the inside of the front lid of the unit, it shows the LED codes and electrical connections to the unit:

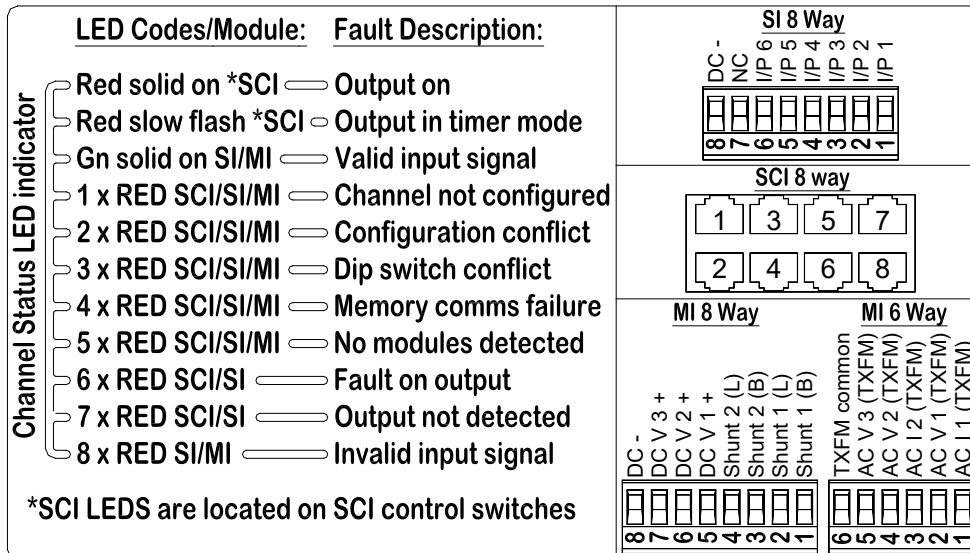


Figure 6. Module Labeling

7.2 MODULE IDENTIFICATION AND DIPSWITCH LABEL

These labels allow easy identification of each module whilst recording the dipswitch setting. These labels are to be fitted to the cover and to the module (this prevents covers being swapped). To record the module type and dipswitch settings use a permanent marker and strike through the applicable boxes (a strike through on a dipswitch box indicates that switch is on).

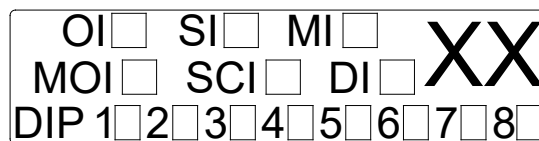


Figure 7. Module Identification

8 System Wiring Example

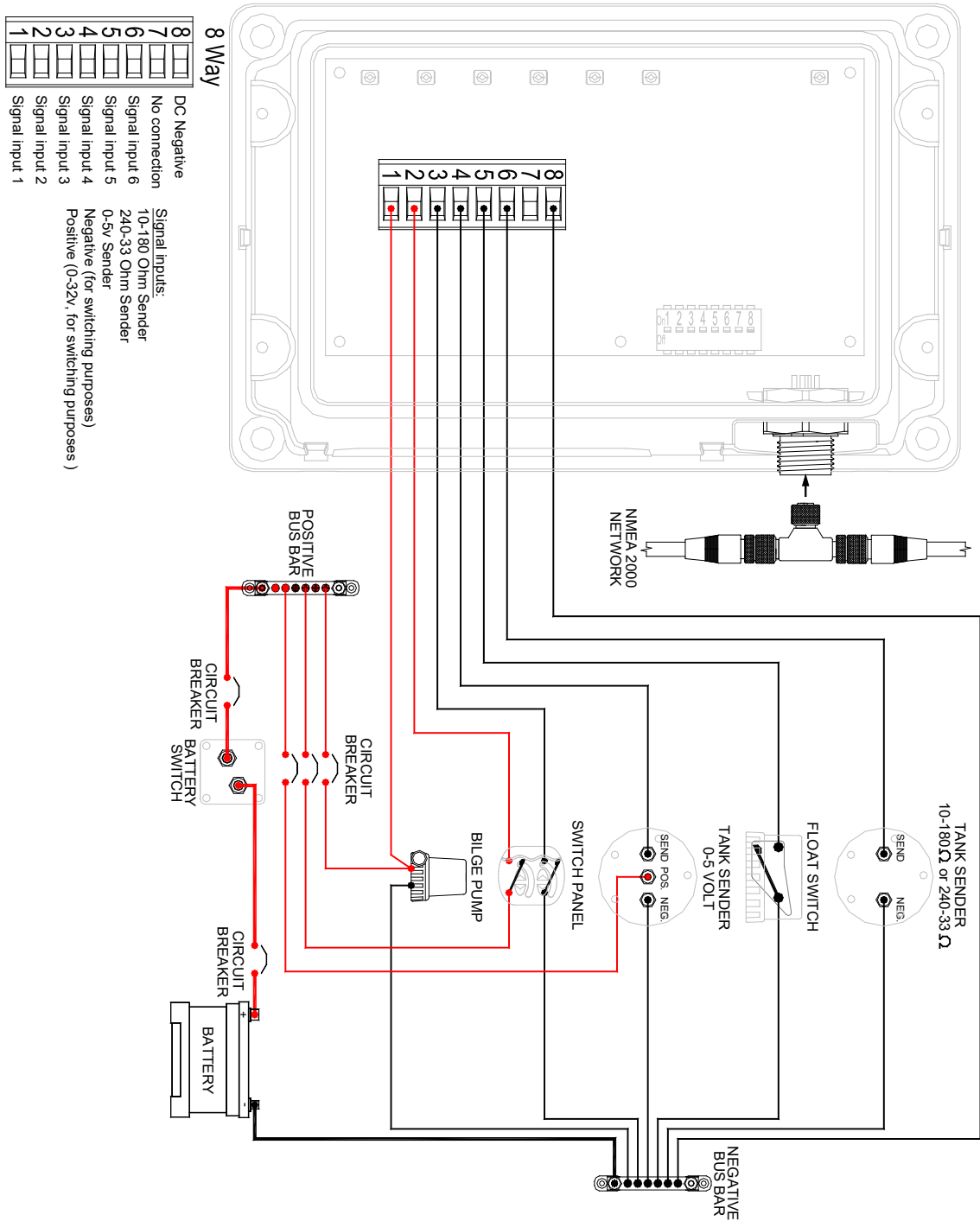


Figure 8. Wiring Diagram

9 Dimensions

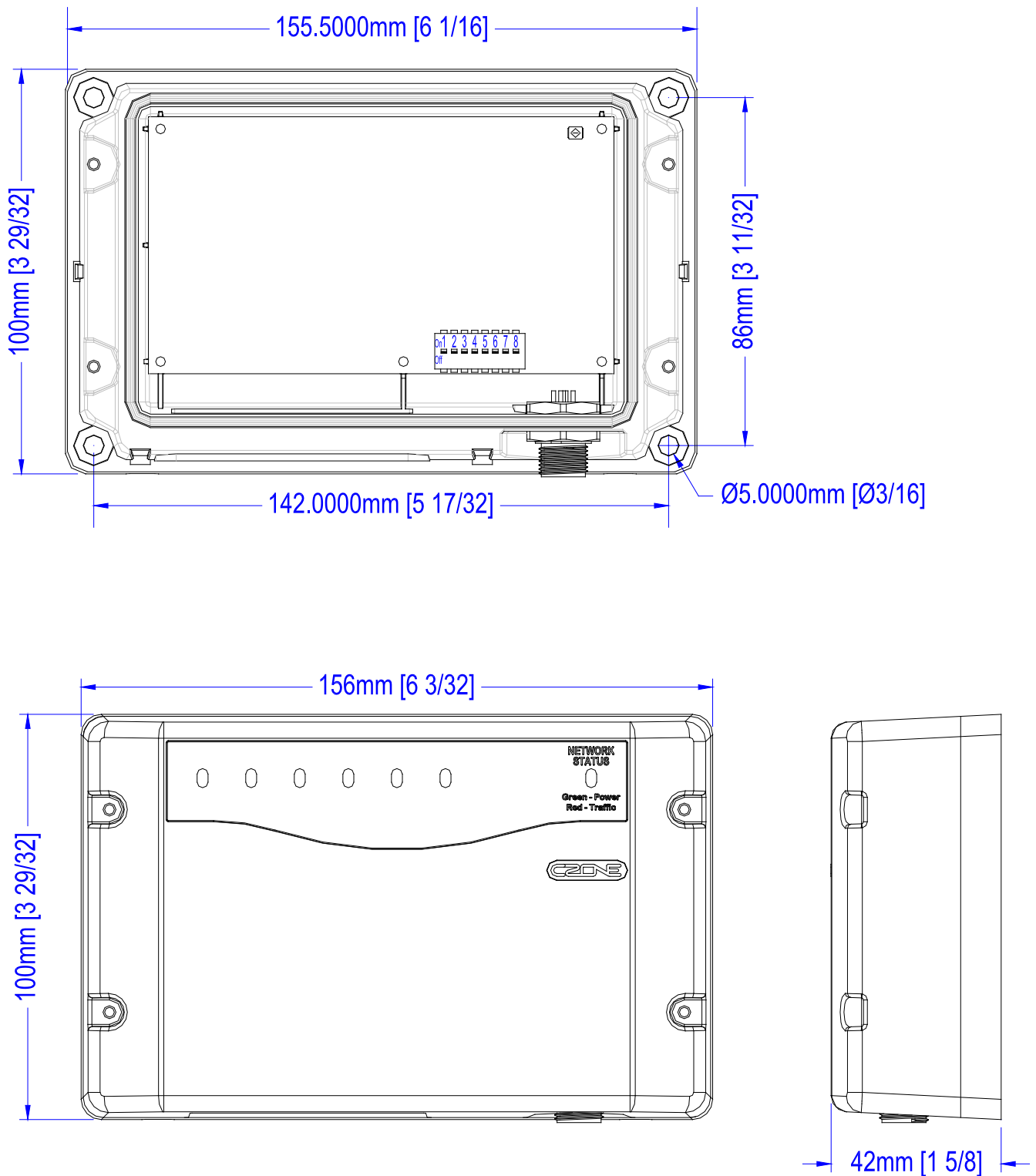


Figure 9. Dimensions

10 Ordering Information

10.1 MODULE

<u>Description</u>	<u>Part number</u>
CZONE SIGNAL INTERFACE c/w SEALS & CONN	80-911-0013-00
CZONE SIGNAL INTERFACE NO SEALS & CONN	80-911-0014-00

10.2 ACCESSORIES AND SPARES

<u>Description</u>	<u>Part number</u>
SEAL CABLE GLAND for ZONE SI BK SILICON	80-911-0036-00
ERM BLOCK MI 8 WAY PLUG 5mm PITCH	80-911-0043-00

11 EMC ratings

- IEC EN 60945
- IEC EN 61000
- FCC Class B
- ISO 7637 - 1 (12V Passenger cars and light commercial vehicles with nominal 12 V supply voltage - Electrical transient conduction along supply lines only)
- ISO 7637 - 2 (24V Commercial vehicles with nominal 24 V supply voltage - Electrical transient conduction along supply lines only)
- IEC Standards for indirect lightning strikes

12 Declaration Of Conformity

EU declaration of conformity
 EU-conformiteitsverklaring
 EU-Konformitätserklärung
 Déclaration UE de conformité
 Declaración UE de conformidad
 Dichiarazione di conformità UE



Name and address of the manufacturer:	BEP Marine Ltd
Naam en adres van de fabrikant:	42 Apollo Drive, Rosedale
Name und Anschrift des Herstellers:	Auckland 0632
Nom et adresse du fabricant:	PO Box 101 739 NSMC
Nombre y dirección del fabricante :	New Zealand
Nome e indirizzo del fabbricante	

This declaration of conformity is issued under the sole responsibility of the manufacturer.
 Deze conformiteitsverklaring wordt verstrekt onder volledige verantwoordelijkheid van de fabrikant.
 Die alleinige Verantwortung für die Ausstellung dieser Konformitätserklärung trägt der Hersteller
 La présente déclaration de conformité est établie sous la seule responsabilité du fabricant.
 La presente declaración de conformidad se expide bajo la exclusiva responsabilidad del fabricante.
 La presente dichiarazione di conformità è rilasciata sotto la responsabilità esclusiva del fabbricante

Object of the declaration:	Czone SI (Signal Interface)
Voorwerp van de verklaring:	Czone MI (Meter Interface)
Gegenstand der Erklärung:	Czone SCI (Switch Control Interface)
Objet de la déclaration :	Czone NBI (Network Bridge Interface)
Objeto de la declaración	Czone MBI (Mastervolt Bridge Interface)
Oggetto della dichiarazione:	Czone DSB (Digital Switch Breakout)

The object of the declaration described above is in conformity with the relevant Union harmonisation legislation:
 Het hierboven beschreven voorwerp is in overeenstemming met de desbetreffende harmonisatiewetgeving van de Unie:
 Der oben beschriebene Gegenstand der Erklärung erfüllt die einschlägigen Harmonisierungsrechtsvorschriften der Union:
 L'objet de la déclaration décrit ci-dessus est conforme à la législation d'harmonisation de l'Union applicable :
 El objeto de la declaración descrita anteriormente es conforme con la legislación de armonización pertinente de la Unión:
 L'oggetto della dichiarazione di cui sopra è conforme alla pertinente normativa di armonizzazione dell'Unione:

- 2011/65/EU (RoHS directive)
- 2014/30/EU (Electromagnetic Compatibility Directive)

References to the relevant harmonised standards used or references to the other technical specifications in relation to which conformity is declared:
 Vermelding van de toegepaste relevante geharmoniseerde normen of van de overige technische specificaties waarop de conformiteitsverklaring betrekking heeft:
 Angabe der einschlägigen harmonisierten Normen, die zugrunde gelegt wurden, oder Angabe der anderen technischen Spezifikationen, in Bezug auf die die Konformität erklärt wird:

Références des normes harmonisées pertinentes appliquées ou des autres spécifications techniques par rapport auxquelles la conformité est déclarée:
 Referencias a las normas armonizadas pertinentes utilizadas, o referencias a las otras especificaciones técnicas respecto a las cuales se declara la conformidad:
 Riferimento alle pertinenti norme armonizzate utilizzate o riferimenti alle altre specifiche tecniche in relazione alle quali è dichiarata la conformità:

- EN 60945:2002 Maritime navigation and radiocommunication equipment and systems

Auckland, New Zealand – 12th September 2019
 BEP Marine LTD



Mark Griffith
 Engineering Leader