

**TECNOSEAL FOUNDRY s.r.l**  
Via Senese, 193  
58100 Grosseto  
ITALY  
www.tecnoseal.it

**Headquarters**  
Tel. +39 0564 453792

**Commerciale Italia**  
Tel. +39 0564 465483  
nautica.italia@tecnoseal.it

**Export department**  
Tel. +39 0564 453917  
sales@tecnoseal.com

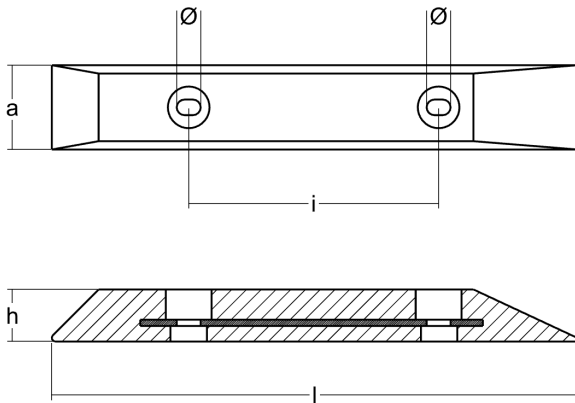
**TECNOSEAL MARINE ANODES USA**  
2070 NW29th St. - Oakland Park  
Fort Lauderdale, FL 33311 - USA  
Tel: +1 (954) 874.6309  
info@tecnoseal-usa.com  
www.tecnoseal-usa.com

**TECNOSEAL UK LTD**  
Unit 5, Crosshouse Centre  
The Crosshouse Road  
Southampton - SO14 5GZ - UK  
Tel: +44 (0) 2380 338941  
sales@tecnoseal.co.uk  
www.tecnoseal.co.uk

**TECNOSEAL NL B.V.**  
Moerbeij 2b  
3371 NZ  
Hardinxveld-Giessendam  
NETHERLANDS  
Tel. +31 (0) 85 486 1999  
sales@tecnoseal.nl  
www.tecnoseal.nl

## 00680

Fast boats bars - Serie Fast boats bars / Piastre per scafi veloci



**MG** Magnesium Brand: n/a

Bar with insert  
GDF Bigliani series

### Product technical specification

COD	kg	lbs		i	l	a	h	Ø
00680	3.55	7.83	mm	240	505	81	50	25x15
			inch	9.45	19.88	3.19	1.97	0.98x0.59

### Main features

Catalog page: 0

### Other information

**Barcode:** 8033837063742

**Boat type:** workboats and ships

**Specific:** fast vessel plates