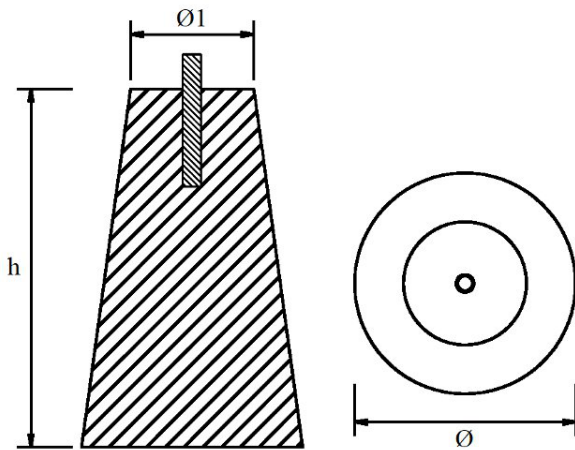


00630

Suspended Anodes - Serie Suspended anodes / Anodi sospesi



ZN Zinc Brand: n/a

Suspended anode

Product technical specification

COD	kg	lbs		h	Ø	Ø1	other info
00630	2.55	5.62	mm inch	105 4.13	80 3.15	55 2.17	cable 6 meter

Main features

Catalog page:

Other information

Barcode: 8033837063681

Boat type: various

Specific: n/a