

TECNOSEAL FOUNDRY s.r.l
Via Senese, 193
58100 Grosseto
ITALY
www.tecnoseal.it

Headquarters
Tel. +39 0564 453792

Commerciale Italia
Tel. +39 0564 465483
nautica.italia@tecnoseal.it

Export department
Tel. +39 0564 453917
sales@tecnoseal.com

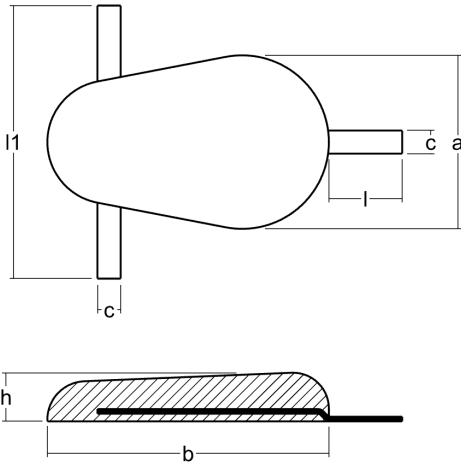
TECNOSEAL MARINE ANODES USA
2070 NW29th St. - Oakland Park
Fort Lauderdale, FL 33311 - USA
Tel: +1 (954) 874.6309
info@tecnoseal-usa.com
www.tecnoseal-usa.com

TECNOSEAL UK LTD
Unit 5, Crosshouse Centre
The Crosshouse Road
Southampton - SO14 5GZ - UK
Tel: +44 (0) 2380 338941
sales@tecnoseal.co.uk
www.tecnoseal.co.uk

TECNOSEAL NL B.V.
Moerbeij 2b
3371 NZ
Hardinxveld-Giessendam
NETHERLANDS
Tel. +31 (0) 85 486 1999
sales@tecnoseal.nl
www.tecnoseal.nl

00390

Weld on anodes with 2 straps - Serie Up to 24 kg / Fino a 24 Kg



ZN Zinc Brand: n/a

Weld-on anode with 2 straps

Product technical specification

COD	kg	lbs		l	l1	a	b	c	h	strap
00390	24.000	52.91	mm	95	365	225	365	30	65	365X30X6
			inch	3.74	14.37	8.86	14.37	1.18	2.56	e
										95X30X6

Main features

Catalog page:

Other notes: Standard version with steel insert. Aluminum or stainless steel insert available on request.

Other information

Barcode: 8033837069157

Boat type: workboats and ships

Specific: with 2 straps