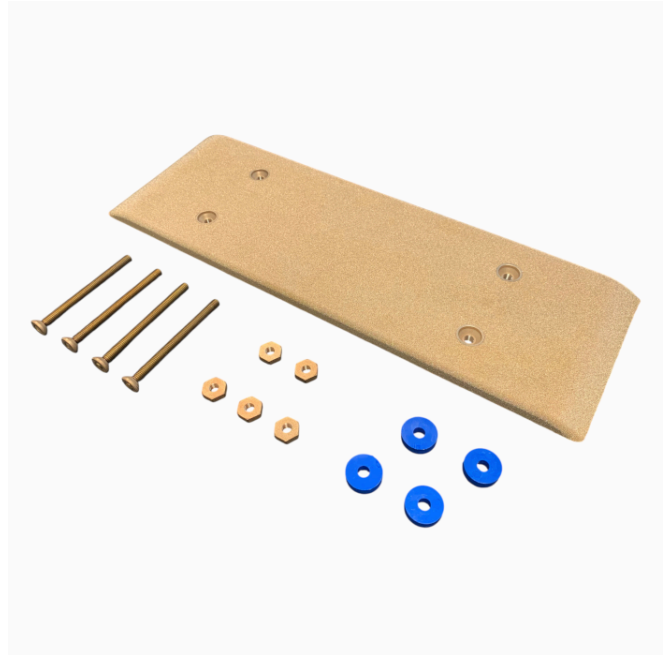
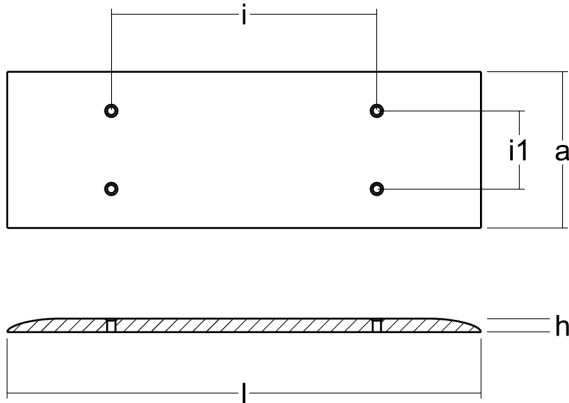


PMSEAGROUND4

Ground plates - Serie Ground plates



 **Bronze Brand: n/a**

Grounding plate for on board electrical devices
4 holes

Product technical specification

COD	kg	lbs		l	a	h	i	i1	other info
PMSEAGROUND4.60	4.60	10.14	mm inch	455 17.91	150 5.91	13 0.51	255 10.04	75 2.95	Superf.: 8.00 m ² / Surface: 314,6"²

Main features

Catalog page:

Other notes: Porous bronze alloy

Other information

Barcode: 8033837068143

Boat type: various

Specific: n/a